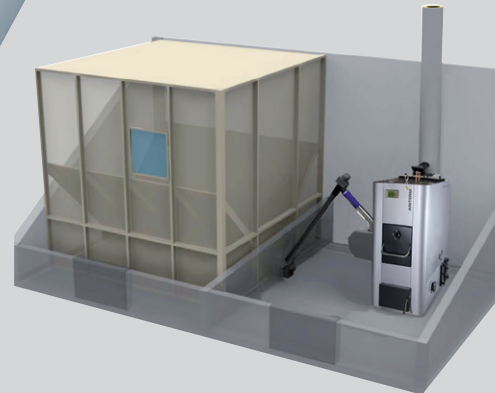


ARITERM PELLET SYSTEM



■ Ariterm BioCompPX – the simple and small bio heating boiler

Ariterm BioCompPX is a complete pellet boiler for those who require an output exceeding that of a normal domestic boiler. BioCompPX allows continuous operation up to the boiler's rated output, which makes it an excellent product for those with high continuous output requirements. BioCompPX is a new, modern design that is combined with our renowned safe and reliable pellet boiler PX52 and has a flue gas fan as standard. The comfort, environmental performance and efficiency are the best possible, in order to meet the requirements for easy handling and effective firing with pellets.

BioCompPX belongs to a new generation of automatic building boilers. The vertical convection tubes with automatic cleaning reduce the amounts of deposits and mean that the boiler maintains a high level of efficiency between services.

BioCompPX is available as a right or left-hand model, i.e. with the burner hatch on one side. All boilers have a large ash space that is easily accessed from the front hatch. An ash auger can be connected to the ash space for automatic ash removal. BioCompPX has several connections allowing different installation alternatives. In addition, an immersion heater can be installed in the boiler.

The pellet burner is installed on runners, making it easy to pull the boiler out for servicing or cleaning.

Automatic control device

The specially designed automatic control for pellet lighting makes it possible to regulate the output in 3 stages. Information about operating status such as boiler temperature, alarm function and output mode etc are shown in the automatic control display.

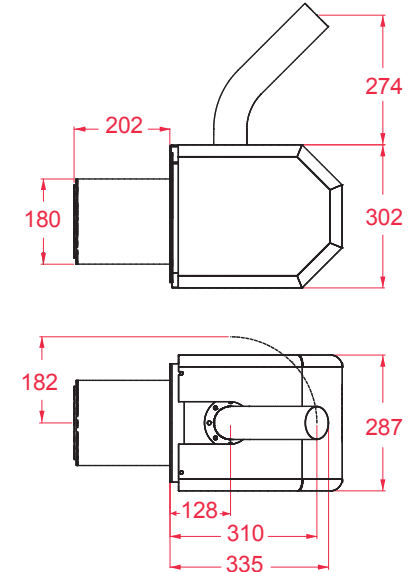
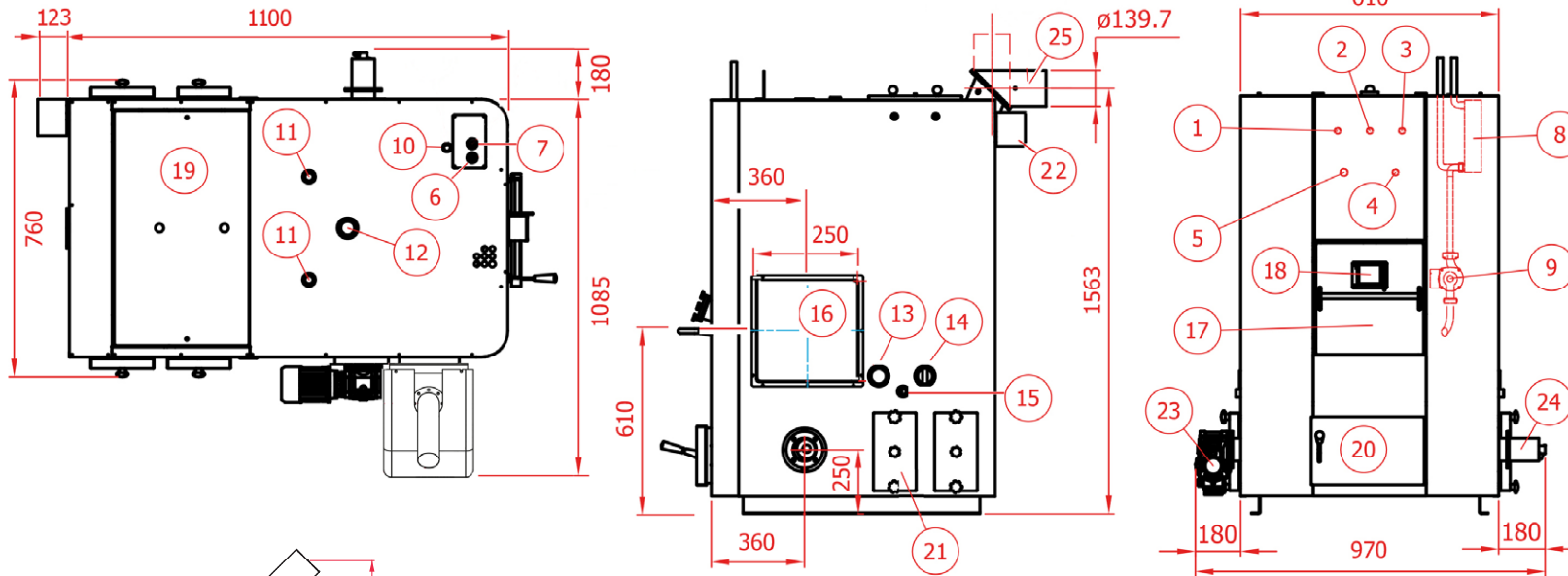
Ultra Light

BioCompPX is also available in a simpler version, without automatic controls for domestic water - BioCompPX Ultra Light.

ARITERM SWEDEN AB

Flottiljvägen 15, SE-392 41 Kalmar

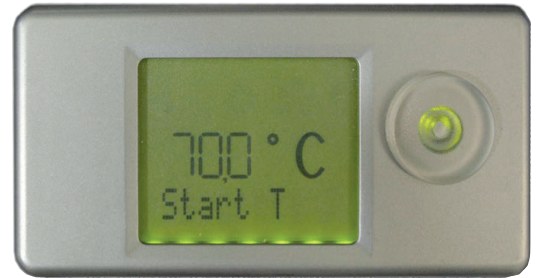
www.ariterm.se



1. Spare DN15
2. Submersible tube burner sensor and overheat protection
3. Spare DN15
4. Combustion chamber DN 20
5. Combustion chamber DN 15
6. Incoming cold water Ø 22 mm Cu
7. Hot tap water Ø 22 mm Cu
8. Heat exchanger tap water
9. Pump to tap water exchanger
10. Bleed valve tap water exchanger
11. Expansion/safety valve DN 25
12. Supply DN 50
13. Immersion heater socket DN 50
14. Return DN 50
15. Draining DN 20
16. Burner opening, right or left side
17. Service hatch
18. Sight glass
19. Soot cabinet with convection cleaning
20. Ash hatch
21. Cleaning hatches
22. Convection cleaning motor
23. Motor for ash auger (accessory)
24. Ash auger (accessory)
25. Flue Ø 139 mm

BioCompPX		
Max. output pellets	kW	60
Water volume boiler	liter	175
Max. operating pressure	bar	3,0
Max. operating temperature	°C	130
Efficiency level	%	93
Weight (gross)	kg	495
Rec. chimney diameter	mm	150
Rec. chimney height	m	5

- Included in the delivery:**
- Sweeping tool
 - Silt filter
 - Masonry support
 - Flue
 - Flue gas fan
 - Automatic control for convection cleaning/ash removal
- Accessories:**
- Combination flue - part no. 5208
 - Ash removal
 - Mixing valve for hot water VTA323 - part no. 4322
 - Shunt valve VRG133 Cu 22 - part no. 4321
 - Wireless Shunt regulation CRB122 - part no. 4319
 - GSM module for alarm and remote control - part no. 1059
 - Immersion heater incl. control - part no. 5749



The control panel has a display and adjustment dial:

- The display shows the operating mode and the current boiler temperature. Explanatory text scrolls through the display every 5 seconds.
- The adjustment dial is used by pressing or turning. Turn it to scroll through the menu, or change the value when adjusting. Pushing once makes a selection or saves in the menu.